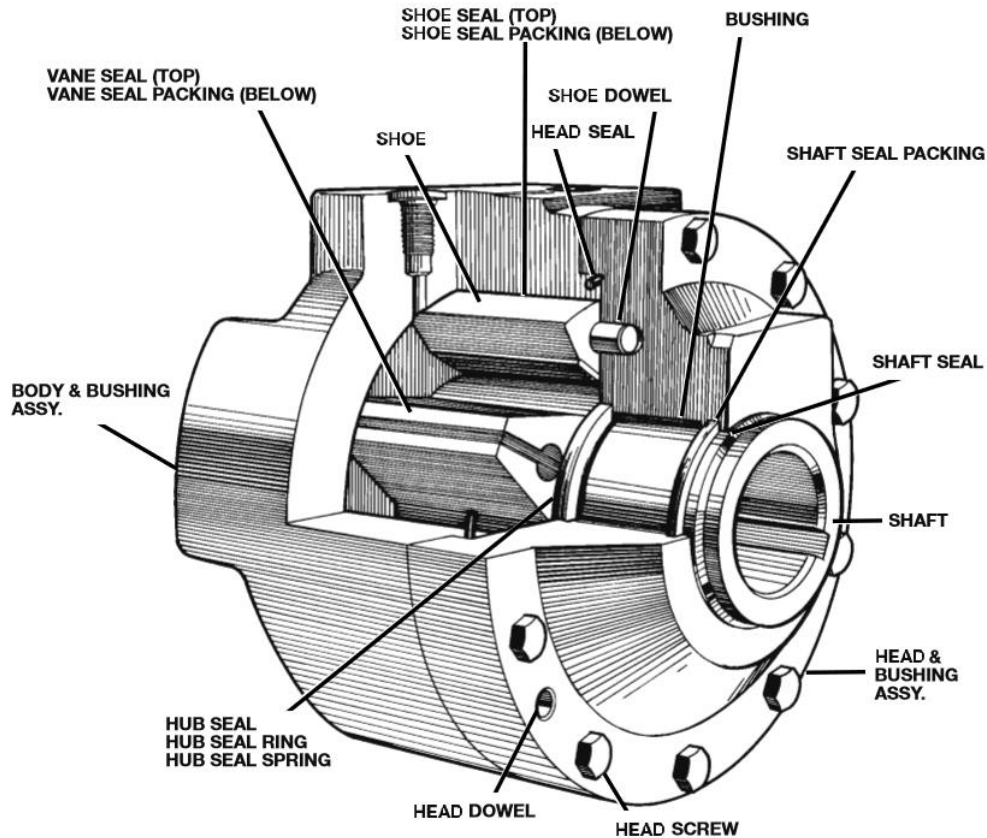


HOW TO ORDER HS-006, HS-010, HS-015



HOW TO ORDER

Please fill in ALL blocks in accordance with the KEY numbers and letters shown below.

EXAMPLE: HS - 006 - 2V - E - B - A - A - 2

□ - □ - □ - □ - □ - □ - □ - □

BLOCK # 1 2 3 4 5 6 7 8

Block 1 (MODEL)

HS Hollow Shaft

Block 2 (SIZE)

006

010

015

Block 3 (VANES)

1V Single Vane

2V Double Vane

Block 4 (MOUNTING)

E End

Block 5 (SEALS)

B Buna "N" Standard Shaft Seal

V Viton Standard Shaft Seal

E Ethylene Propylene

Block 6 (SHAFT CONFIGURATION)

A Standard (Internal key for HS)

M Internal spline (HS)

Z Special

Block 7 (SHAFT MODIFICATION)

A Standard (No modifications)

Z Special

Block 8 (PORTING)

1 NPT

2 SAE Straight Threads (Standard)

**5 End Ports – NPT

**6 End Ports – SAE

7 Manifold Ports (See Optional Porting for details)

0 BSPP Straight Threads

Z Special

** "End Ports" for HS Series means on non-mounting end, parallel to shaft. NOT available on 2V units.

NOTE: All "Z" (non-standard feature request) requires a "Request a Quote" to be filled out for Micromatic to review requirements