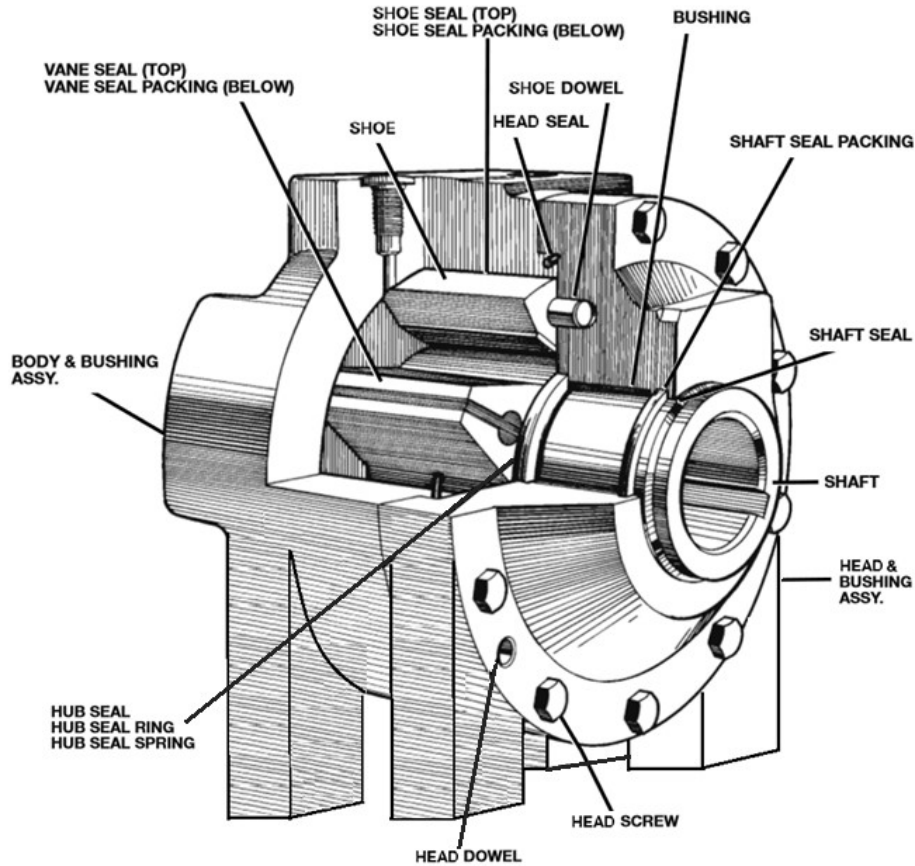


# HOW TO ORDER HS-1.5, HS-2.5, HS-004



## HOW TO ORDER

Please fill in ALL blocks in accordance with the KEY numbers and letters shown below.

**EXAMPLE:** HS - 004 - 1V - E/B - V - A - A - 7

  -   -   -   -   -   -   -  

**BLOCK #**    1        2        3        4        5        6        7        8

**Block 1 (MODEL)**  
 HS    Hollow Shaft

**Block 2 (SIZE)**  
 1.5  
 2.5  
 004

**Block 3 (VANES)**  
 1V    Single Vane

**Block 4 (MOUNTING)**  
 E/B    End/Base

**Block 5 (SEALS)**  
 B    Buna "N" Standard Shaft Seal  
 V    Viton Standard Shaft Seal  
 E    Ethylene Propylene

**Block 6 (SHAFT CONFIGURATION)**  
 A    Standard (Internal key for HS)  
 M    Internal spline (HS)  
 Z    Special

**Block 7 (SHAFT MODIFICATION)**  
 A    Standard (No modifications)  
 Z    Special

**Block 8 (PORTING)**  
 1    NPT  
 2    SAE Straight Threads (Standard)  
 \*\*5    End Ports – NPT  
 \*\*6    End Ports – SAE  
 7    Manifold Ports (See Optional Porting for details)  
 0    BSP Straight Threads  
 Z    Special

\*\* "End Ports" for HS Series means on non-mounting end, parallel to shaft.

**NOTE:** All "Z" (non-standard feature request) requires a "Request a Quote" to be filled out for Micromatic to review requirements