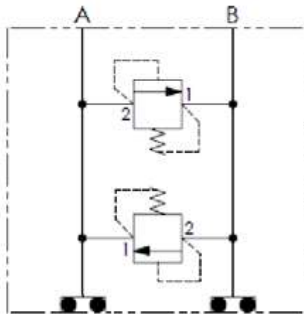
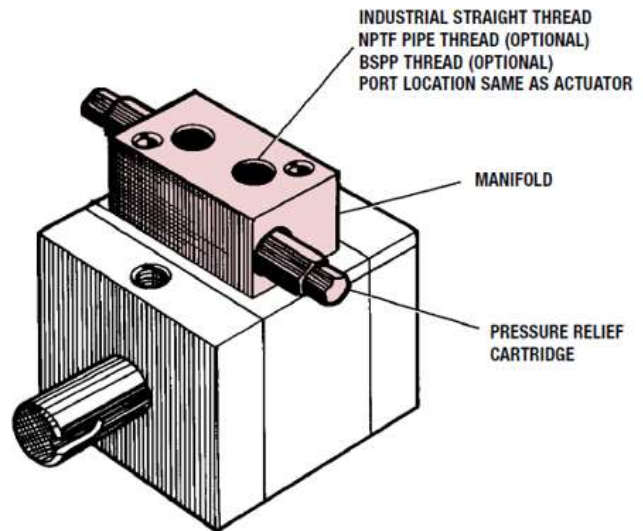


## CROSS-PORT RELIEF (CPR) MANIFOLD



**SPECIFICATIONS**  
TYPE — PISTON DIFFERENTIAL  
CAPACITY — 40 G.P.M.  
PRESSURE RANGE —  
COMPATIBLE WITH  
MODEL MP  
FACTORY SET AT 50 P.S.I.  
ABOVE MAX.  
PRESSURE RATING



Micromatic's CPR manifold comes factory installed on the actuator with the relief cartridges preset to 50 psi above the maximum actuator pressure rating. This protects the actuator from pressure spikes, which will damage the actuator. If there is a pressure spike above the relief cartridge setting, then it will open to maintain an operating pressure no greater than 50 psi above the actuator's maximum pressure rating.

### IMPORTANT NOTES TO AVOID ACTUATOR DAMAGE AND VOIDED WARRANTY:

1. It is critical that the hydraulic system have pressure relief located in close proximity to the actuator to prevent pressure spikes from damaging the actuator. Micromatic offers Cross Port Relief (CPR) manifolds that can be used with the actuator if the customer's hydraulic system does not have pressure relief (contact factory for details). Hydraulic pressure spikes will rapidly cause damage and void the actuator's warranty.
2. Micromatic offers CPR manifolds as an option for most models of actuators.
3. Contact Micromatic Customer Service at [CustomerService@micromaticllc.com](mailto:CustomerService@micromaticllc.com) or 800.333.5752 for more information on Cross-Port Relief Manifolds.