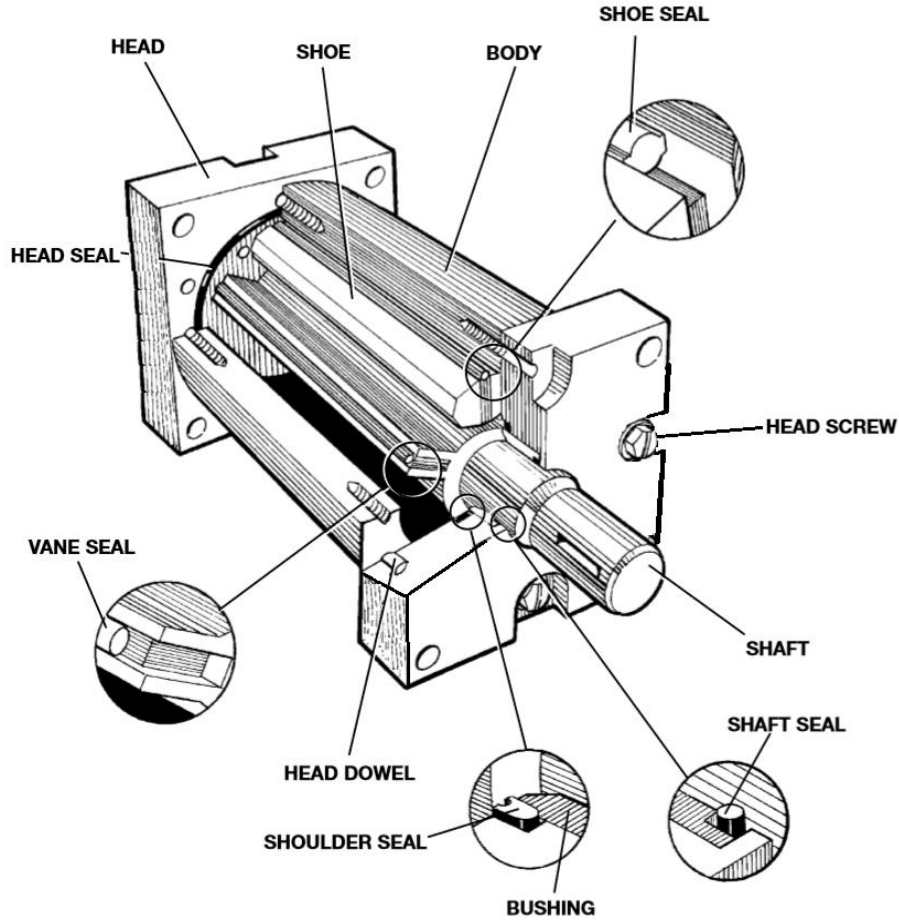


HOW TO ORDER LP-11 THRU LP-24



HOW TO ORDER

Please fill in ALL blocks in accordance with the KEY numbers and letters shown below.

EXAMPLE: LP - 22 - 1V - DE - WK - FLG - TP

- - - - - -

BLOCK # 1 2 3 4 6 7 8

Block 1 (MODEL)

LP

Block 2 (SIZE)

11

12

22

24

Block 3 (VANES)

1V Single Vane

2V Double Vane

Block 4 (SHAFT EXTENSION)

SE Single Extension

DE Double Extension

Block 6 (SHAFT TYPE)

K Keyed

WK Woodruff Key

Z Special

Block 7 (MOUNTING)

FLG Flange

Z Special

Block 8 (PORTING)

TP Top Ports

EP End Ports

Z Special

NOTES: 1. Blocks "5" is not used for LP models

2. All "Z" (non-standard feature request) requires a "Request a Quote" to be filled out for Micromatic to review requirements