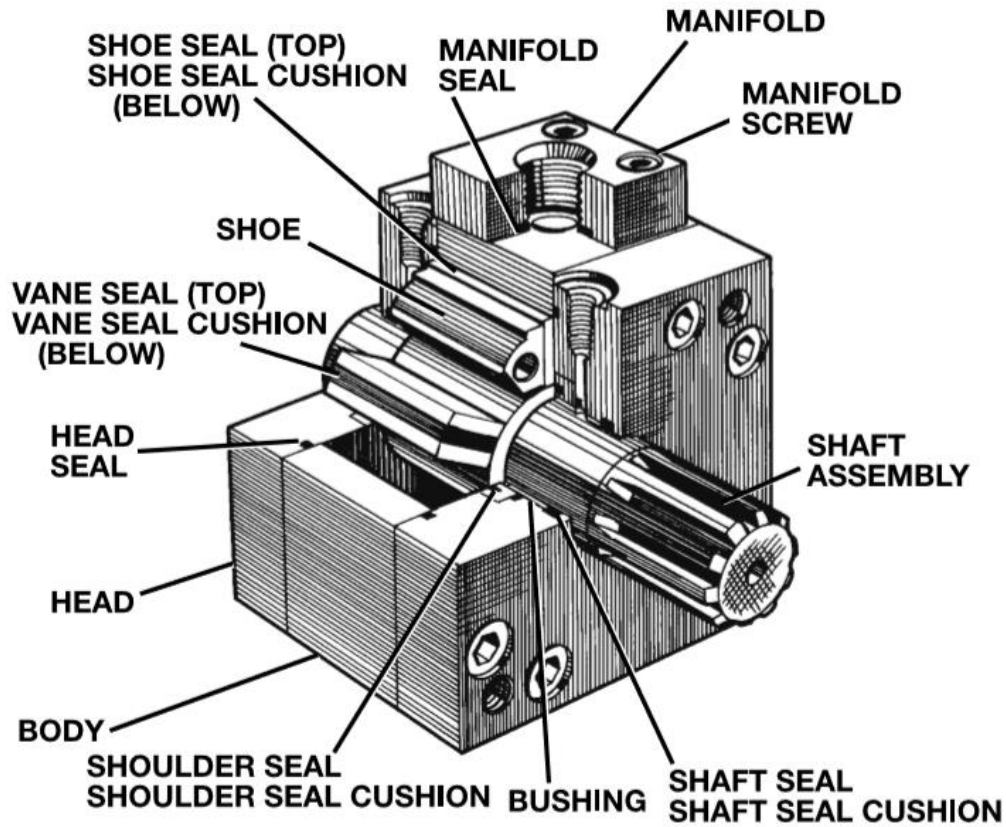


HOW TO ORDER MPJ-11 & MPJ-22



HOW TO ORDER

Please fill in ALL blocks in accordance with the KEY numbers and letters shown below.

EXAMPLE: **MPJ** - **22** - **1V** - **SE** - **K** - **FLG** - **2**

- - - - - -

BLOCK # 1 2 3 4 6 7 8

Block 1 (MODEL)

MPJ

Block 2 (SIZE)

11

22

Block 3 (VANES)

1V Single Vane

2V Double Vane

Block 4 (SHAFT EXTENSION)

SE Single Extension

Block 6 (SHAFT TYPE)

ISER 10-B Spline

K Keyed

Z Special

Block 7 (MOUNTING)

FLG Flange

Z Special

Block 8 (PORTING)

1 NPT

2 SAE Straight Threads (Standard)

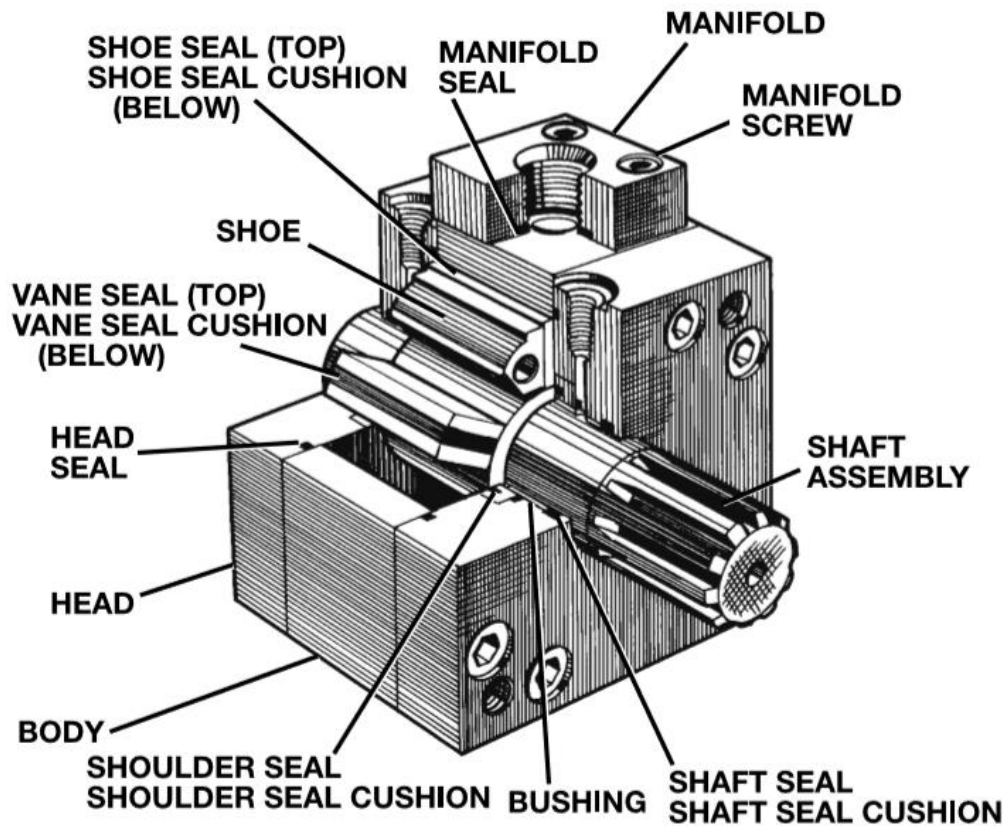
0 BSPP Straight Threads

Z Special

NOTES: 1. Block "5" isn't used for MPJ models

2. All "Z" (non-standard feature request) requires a "Request a Quote" to be filled out for Micromatic to review requirements

HOW TO ORDER MPJ-32 THRU MPJ-128



HOW TO ORDER

Please fill in ALL blocks in accordance with the KEY numbers and letters shown below.

EXAMPLE: MPJ - 34 - 1V - SE - K - E/B - 2

- - - - - -

BLOCK # **1** **2** **3** **4** **6** **7** **8**

Block 1 (MODEL)

MPJ

Block 2 (SIZE)

32
34
63
84
105
116
128

Block 3 (VANES)

1V Single Vane
2V Double Vane

Block 4 (SHAFT EXTENSION)

SE Single Extension
DE Double Extension

Block 6 (SHAFT TYPE)

SS 10-B Spline
K Keyed
PL Plain
Z Special

Block 7 (MOUNTING)

E/B End/Base
FT Foot
FLG Flange
Z Special

Block 8 (PORTING)

1 NPT
2 SAE Straight Threads (Standard)
7 Manifold Ports
0 BSPP Straight Threads
Z Special

NOTES: 1. Block "5" isn't used for MPJ models

2. All "Z" (non-standard feature request) requires a "Request a Quote" to be filled out for Micromatic to review requirements