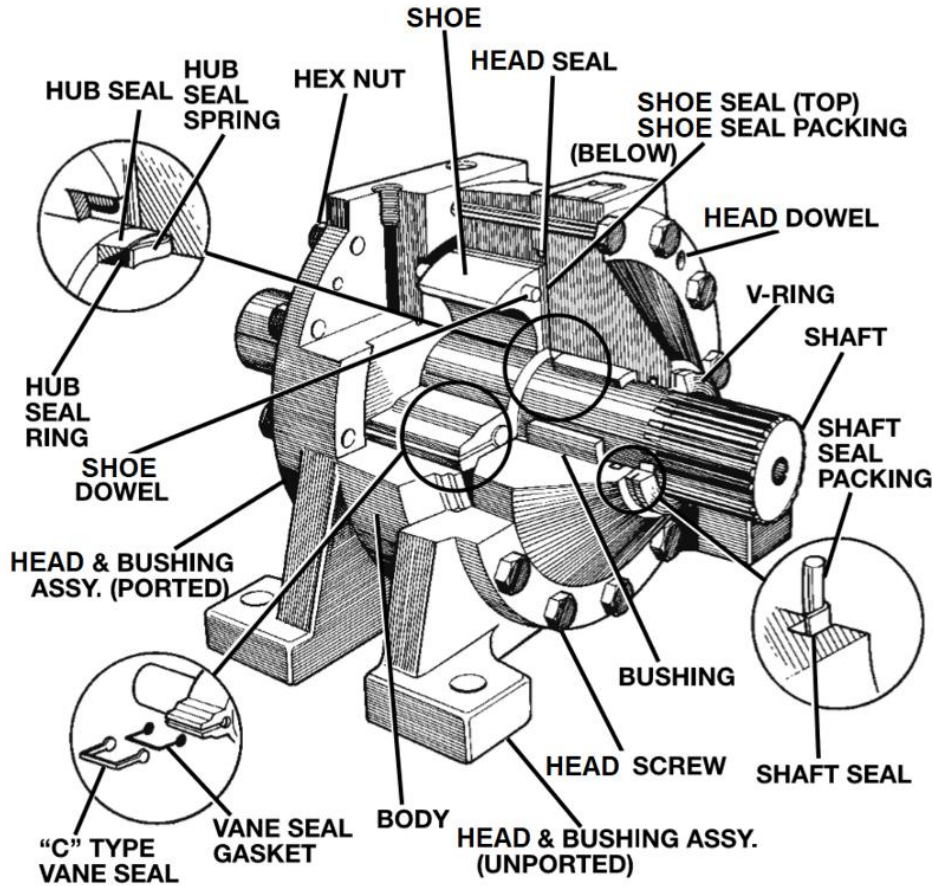


HOW TO ORDER SS-001 THRU SS-130



HOW TO ORDER

Please fill in ALL blocks in accordance with the KEY numbers and letters shown below.

EXAMPLE: SS - 130 - 2V - F - V - N - C - 2

□ - □ - □ - □ - □ - □ - □ - □

BLOCK # 1 2 3 4 5 6 7 8

Block 1 (MODEL)

SS Solid Shaft

Block 2 (SIZE)

001

004

008

012

025

040

065

130

Block 3 (VANES)

1V Single Vane

2V Double Vane

Block 4 (MOUNTING)

E End

F Foot

Z Special

Block 5 (SEALS)

B Buna "N" Standard Shaft Seal

V Viton Standard Shaft Seal

E Ethylene Propylene

Block 6 (SHAFT CONFIGURATION)

A Standard (Involute spline & plain)

B Plain end cut off

C Plain both ends

D Plain one end – Single key other end

E Plain one end – Double key other end

F Plain end cut off – Single key other end

G Plain end cut off – Double key other end

H Single key both ends

J Double key both ends

K Spline one end – Single key other end

L Spline one end – Double key other end

N Splined both ends

Z Special

Block 7 (SHAFT MODIFICATION)

A Standard (No modifications)

B Drill, tap drive end of shaft

C Drill, tap both ends of shaft

*D Potentiometer shaft hole opposite drive end

E Drill & tap end opposite drive end

Z Special

Block 8 (PORTING)

1 NPT

2 SAE Straight Threads (Standard)

3 Double NPT ports

4 Double SAE ports

**5 End Ports – NPT

**6 End Ports – SAE

7 Manifold Ports (See Optional Porting for details)

8 Body ports – NPT

9 Double Manifold ports

0 BSPP Straight Threads

Z Special

* See below for sizes

** "End Ports" for HS Series means on non-mounting end, parallel to shaft.

NOTE: All "Z" (non-standard feature request) requires a "Request a Quote" to be filled out for Micromatic to review requirements